

20

Retractors



DURRANI & CO





"a vision" not just a company

DURRANI & COMPANY



Retractors, Standard patterns
Ecarteurs, modèles standard
Wundhaken, Standard-Modelle



Volkmann
21.5 cm/8½"

Sharp
Pointus
scharf

¼

20-041-001



¼

20-041-002



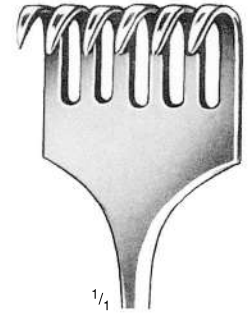
¼

20-041-003



¼

20-041-004



¼

20-041-006

Blunt
mousses
stumpf

¼

20-045-001



¼

20-045-002



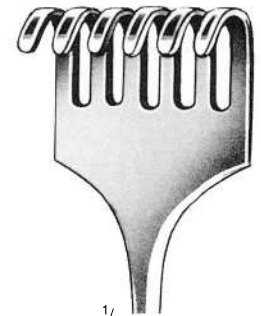
¼

20-045-003



¼

20-045-004



¼

20-045-006



20-049-001



¼



¼

20-049-002



¼

20-049-003



¼

20-049-004



¼



¼

20-053-001



¼

20-053-002



¼

20-061-160



¼

20-071-160

½

16 cm/6¼"

½

16 cm/6¼"

½

Senn-Miller
16 cm/6¼"

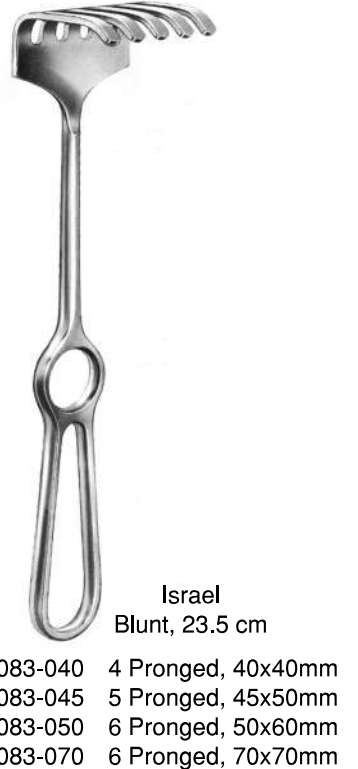
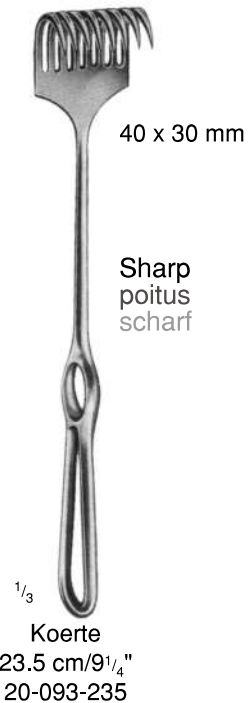
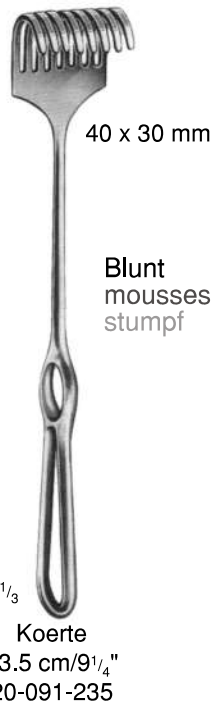
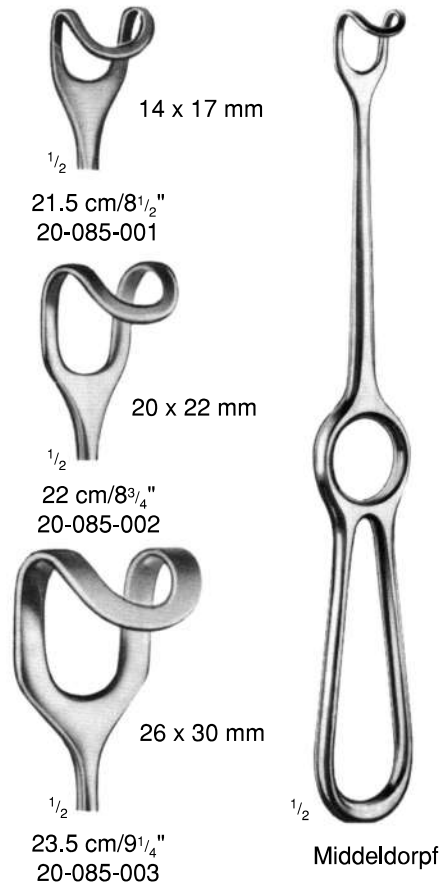
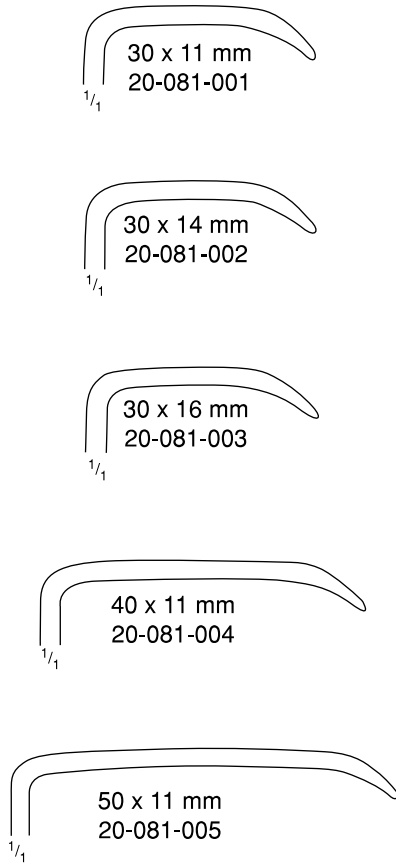


"a vision" not just a company

DURRANI & COMPANY



Retractors, Standard patterns
Ecarteurs, modèles standard
Wundhaken, Standard-Modelle



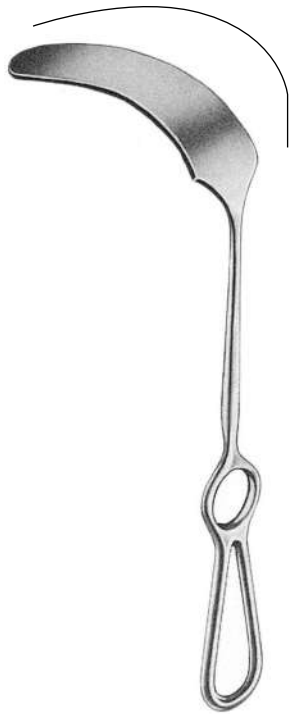


"a vision" not just a company

DURRANI & COMPANY



Retractors
Ecarteurs
Wundhaken



Mikulicz
26 cm/10¹/₄"

- 95 x 35 mm 20-101-095
- 120 x 50 mm 20-101-120
- 150 x 50 mm 20-101-150

Retractors in sets
Ecarteurs par jeux
Wundhaken in Sätzen



90 x 50 mm

¹/₃

Mikulicz
26 cm/10¹/₄"
20-111-090

- Fig. 1 = 24 x 20 mm
- Fig. 2 = 29 x 26 mm
- Fig. 3 = 35 x 29 mm

20-121-000 Fig. 1-3

- Fig. 1 = 30 x 28 mm
- Fig. 2 = 36 x 36 mm
- Fig. 3 = 38 x 43 mm

Roux

¹/₂



- Fig. 1 14 cm/5¹/₂" = 20-127-001
- Fig. 2 15 cm/6" = 20-127-002
- Fig. 3 17 cm/6³/₄" = 20-127-003



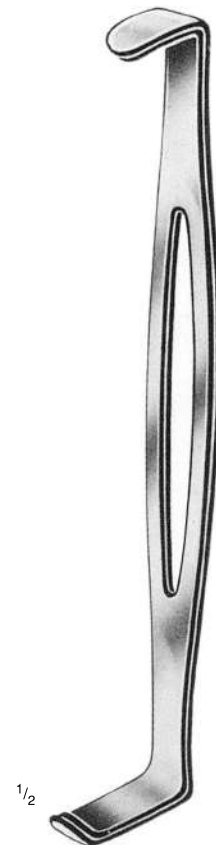
¹/₂

Farabeuf
12 cm/4³/₄"
20-129-000



¹/₂

Farabeuf
15 cm/6"
20-131-000



¹/₂

Parker-Langenbeck
(US-Army)
21 cm/8¹/₄"
20-133-000



"a vision" not just a company

DURRANI & COMPANY



Fine Skin Hooks
Crochets Pour Peau
Hauthäkchen

Kilner
 15 cm/6"
 20-141-150

Gillies
 18 cm/7"

Krayenbuhl
 18.5 cm/7¹/₄"

Adson
 20 cm/8"
 20-165-200

Adson
 20 cm/8"
 20-167-200

Frazier
 Sharp Pointus scharf
 Blunt mousses stumpf

20-145-001
 20-145-002

20-155-185
 20-157-185
 20-159-185
 20-161-185

cm inch
 13 5
 18 7

20-169-130 20-171-130
 20-169-180 20-171-180



"a vision" not just a company

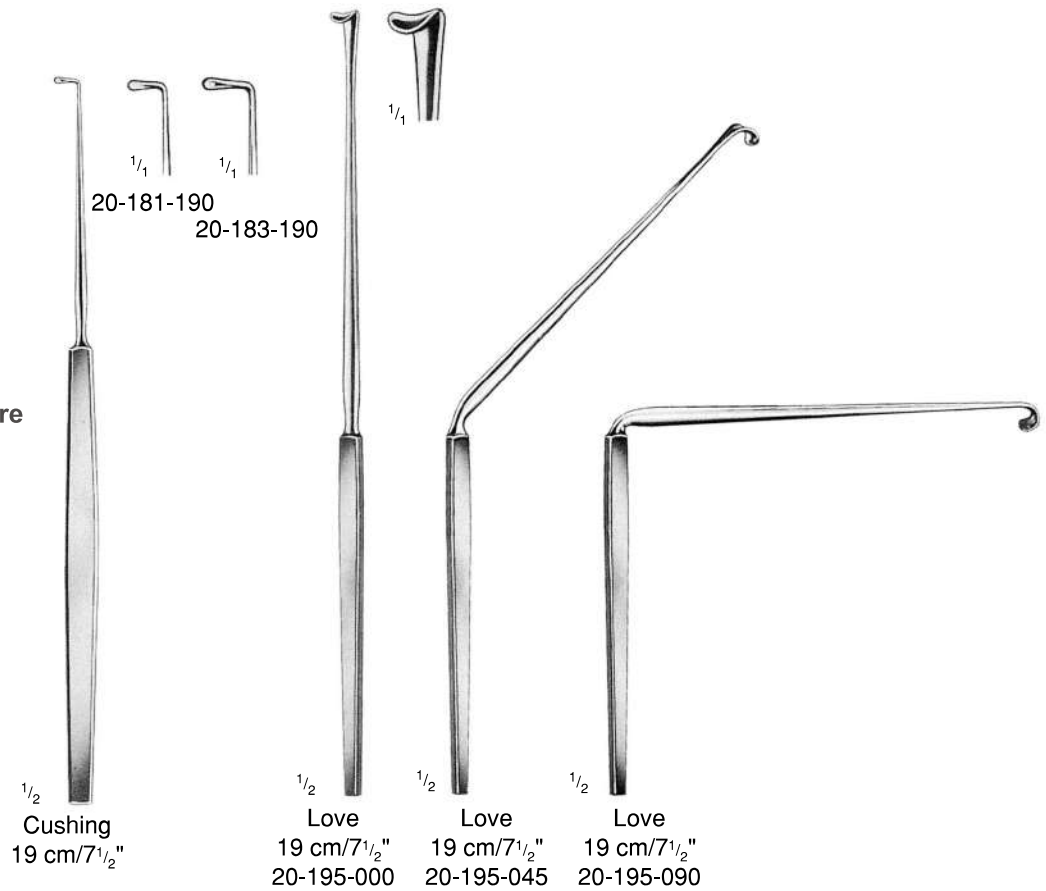
DURRANI & COMPANY



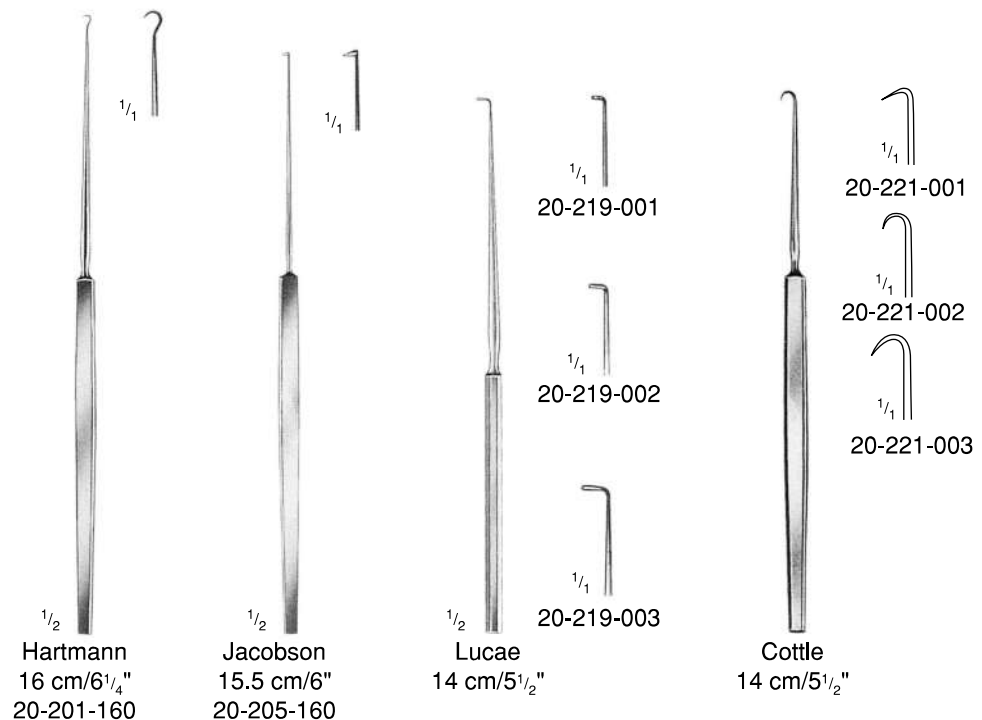
Nerve and Dura-Hooks
Crochets pour nerfs et dure-mère
Nerv-und Durahaken

ENT Retractors
Ecarteurs ORL
Wundhaken für HNO

Nerve and Dura-Hooks
Crochets pour nerfs et dure-mère
Nerv-und Durahaken



ENT Retractors
Ecarteurs ORL
Wundhaken für HNO

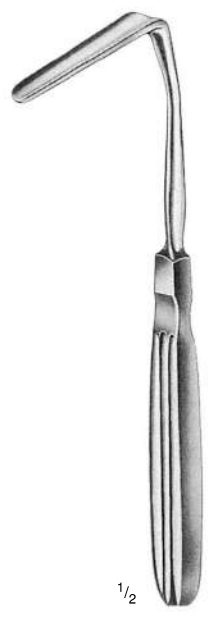




"a vision" not just a company
DURRANI & COMPANY



ENT Retractors
Ecarteurs ORL
Wundhaken für HNO



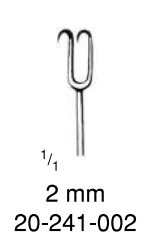
¹/₂
Aufricht
 16 cm/6¹/₄"
 20-231-160



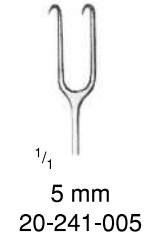
¹/₂
Joseph
 15 cm/6"
 20-239-150



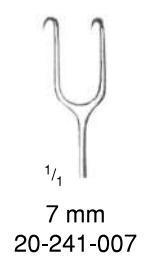
¹/₂
Joseph
 16 cm/6¹/₄"



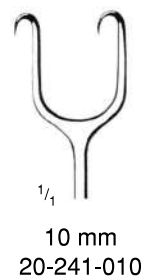
¹/₄
 2 mm
 20-241-002



¹/₄
 5 mm
 20-241-005



¹/₄
 7 mm
 20-241-007



¹/₄
 10 mm
 20-241-010



¹/₂
Freer
 15 cm/6"
 20-251-150



¹/₂
Bose
 16 cm/6¹/₄"
 20-261-160

To the left
 à gauche
 Links

Sharp
 Pointus
 Scharf



¹/₂
Bose
 16 cm/6¹/₄"
 20-263-160

To the right
 à droite
 rechts



¹/₂
Jackson
 15 cm/6"
 20-271-150



¹/₂
Jackson
 17 cm/6³/₄"
 20-279-170



"a vision" not just a company

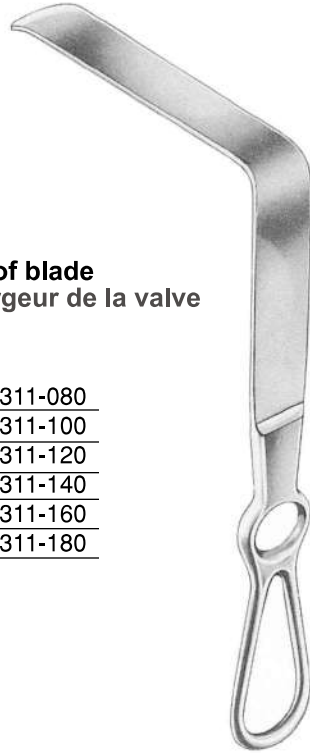
DURRANI & COMPANY



Abdominal Retractors
Ecarteurs abdominaux
Bauchdeckenhaken

length of blade/width of blade
longueur de la valve/largeur de la valve
Blattänge/Blattbreite

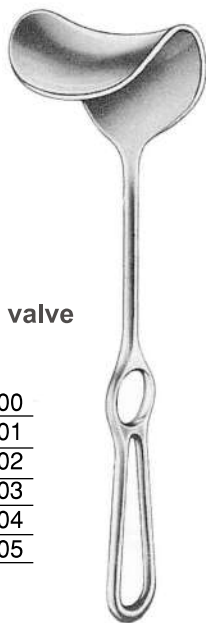
80 x 20 mm	20-311-080
100 x 20 mm	20-311-100
120 x 25 mm	20-311-120
140 x 25 mm	20-311-140
160 x 30 mm	20-311-160
180 x 30 mm	20-311-180



Brunner
25 cm/10"

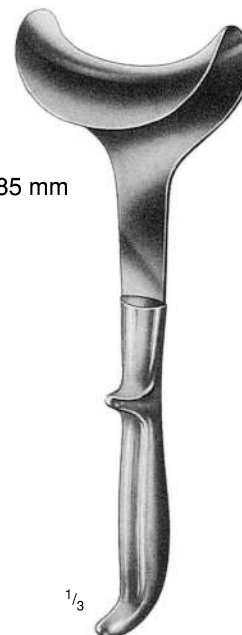
length of blade/width of blade
longueur de la valve/largeur de la valve
Blattänge/Blattbreite

30 x 30 mm	20-321-000
45 x 45 mm	20-321-001
45 x 50 mm	20-321-002
45 x 60 mm	20-321-003
45 x 75 mm	20-321-004
65 x 85 mm	20-321-005



Fritsch
24 cm/9 1/2"

50 x 85 mm



1/3
Doyen
25 cm/10"
20-331-250

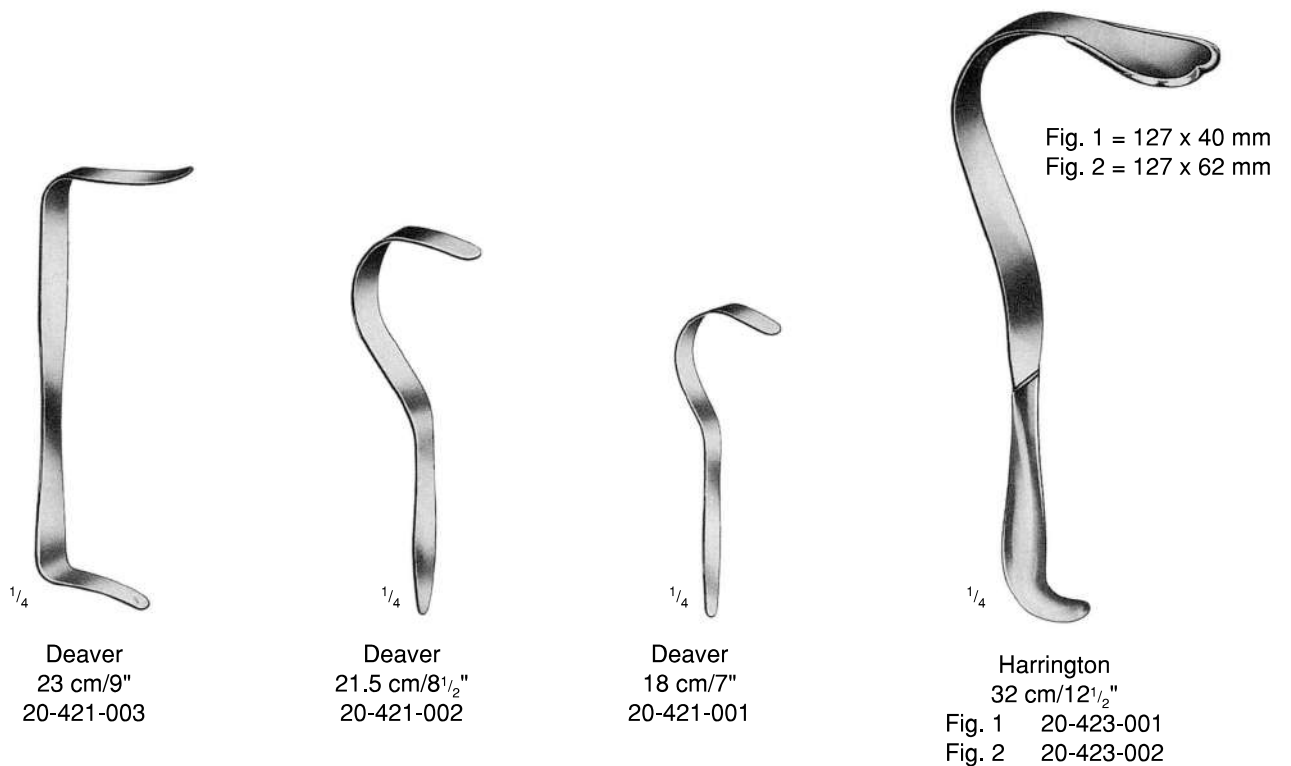
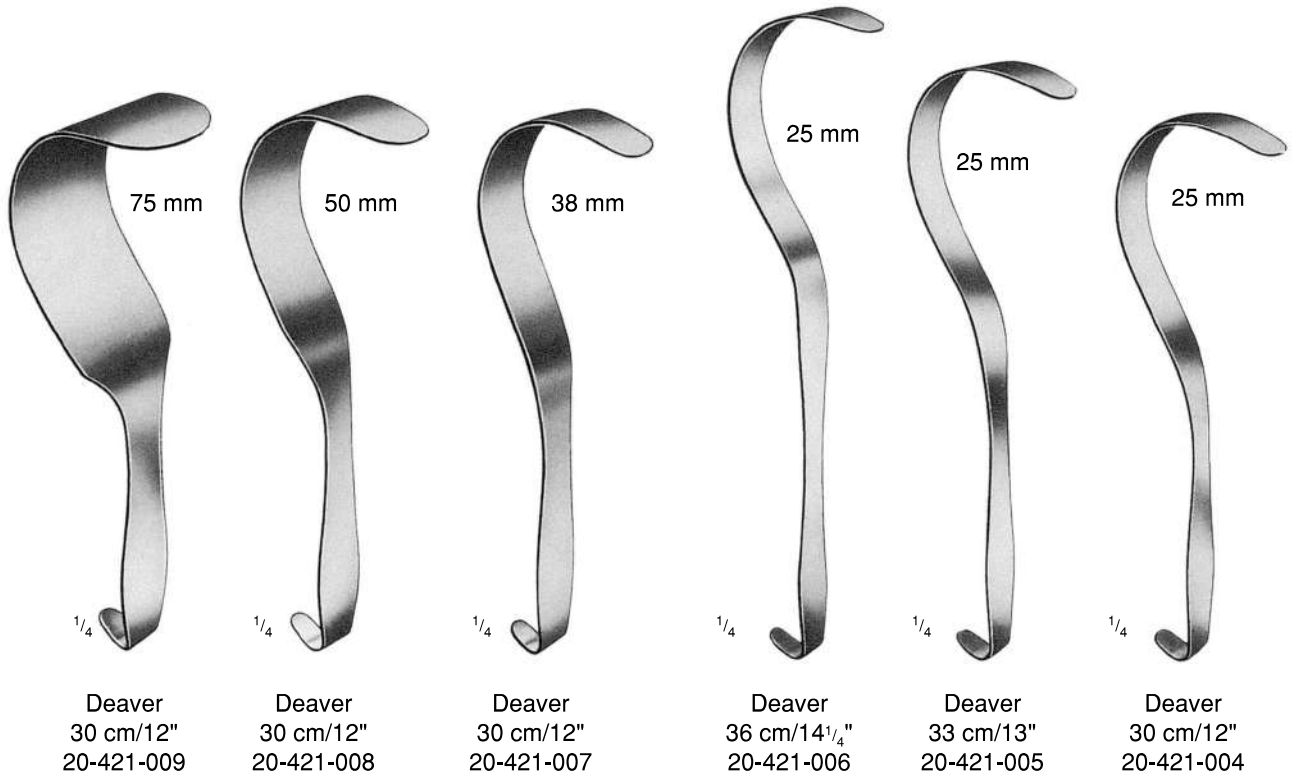


"a vision" not just a company

DURRANI & COMPANY



Abdominal Retractors
Ecarteurs abdominaux
Bauchdeckenhaken





"a vision" not just a company
DURRANI & COMPANY



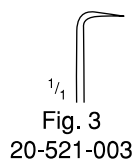
Fistula Hooks Crochets á fistules Fistelhaken



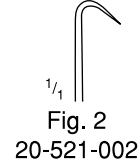
$\frac{1}{2}$
Simon
22 cm/ $8\frac{3}{4}$ "
20-491-002



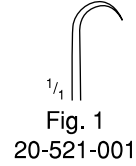
$\frac{1}{2}$
Simon
22 cm/ $8\frac{3}{4}$ "
20-491-001



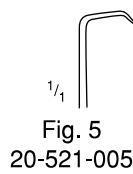
$\frac{1}{4}$
Fig. 3
20-521-003



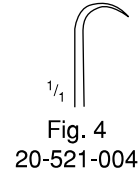
$\frac{1}{4}$
Fig. 2
20-521-002



$\frac{1}{4}$
Fig. 1
20-521-001



$\frac{1}{4}$
Fig. 5
20-521-005



$\frac{1}{4}$
Fig. 4
20-521-004



$\frac{1}{2}$
Emmet
22 cm/ $8\frac{3}{4}$ "

21

Self-Retaining Retractors



DURRANI & CO

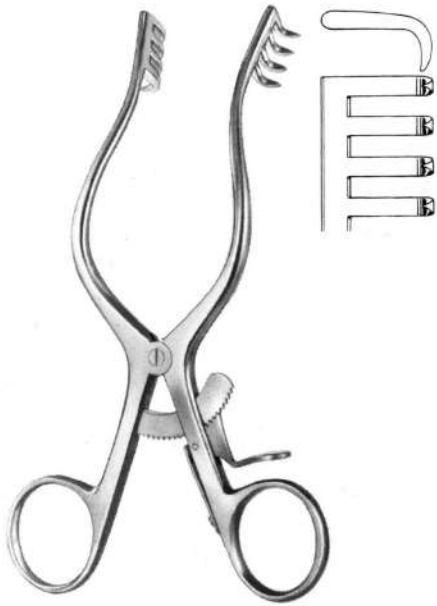




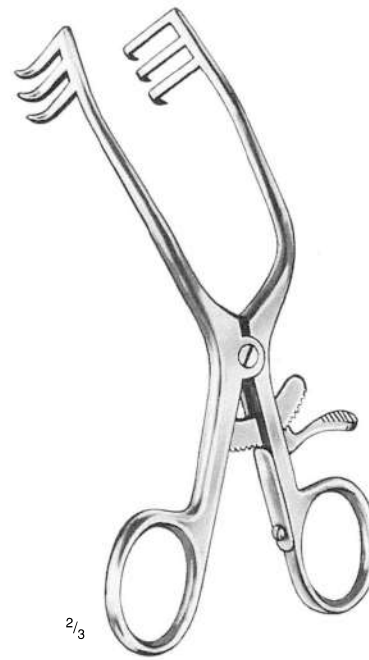
"a vision" not just a company
DURRANI & COMPANY



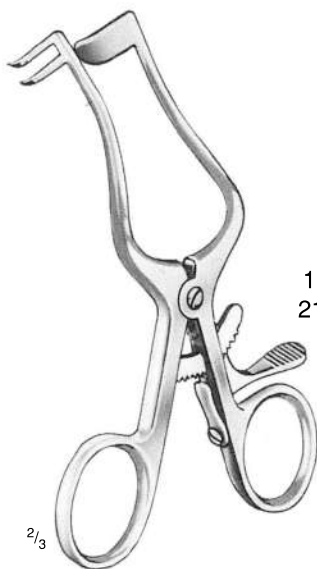
Self-retaining Retractors Ecarteurs autostatiques Wundspreizer, selbsthaltend



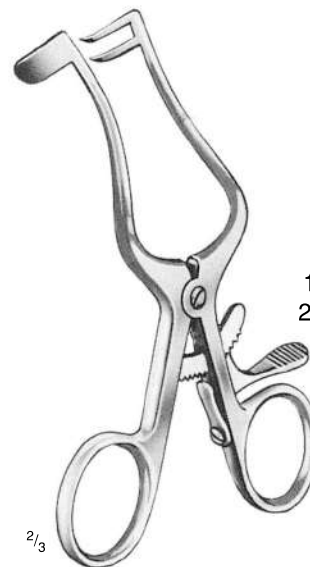
Mollison
4 x 4 Sharp Teeth
15.5 cm/6"
21-125-155



Schuknecht
13 cm/5"
21-011-130



Belucci
11 cm/4 1/2"
21-021-110



Belucci
11 cm/4 1/2"
21-023-110



"a vision" not just a company

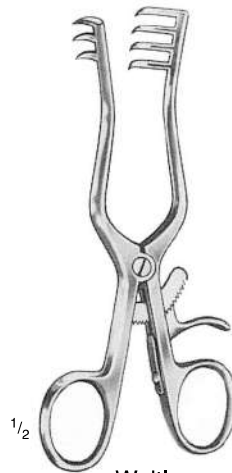
DURRANI & COMPANY



Self-retaining Retractors
Ecarteurs autostatiques
Wundspreizer, selbsthaltend



Weitlaner

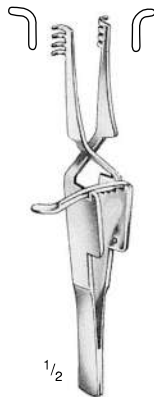


Weitlaner



Weitlaner

Cm	Inch	Sharp pointus scharf	Blunt mousses stumpf	Sharp pointus scharf	Blunt mousses stumpf	Sharp pointus scharf	Blunt mousses stumpf
10.5	4					21-122-105	21-124-105
13	5		21-112-130	21-114-130			
14	5 1/2	21-116-140	21-118-140				
16.5	6	21-102-165	21-104-165				
20	8	21-106-200	21-108-200				
24	9 1/2	21-126-240	21-128-240				



1/2

Heiss
Blunt mousses stumpf



1/2

Jansen
Sharp pointus scharf Blunt mousses stumpf



Alm

Sharp pointus scharf Blunt mousses stumpf
 21-144-070 21-148-070
 21-144-100 21-148-100

Cm	Inch
7	2
10	4

21-132-100

21-140-100

21-142-100

21-144-100

21-148-100

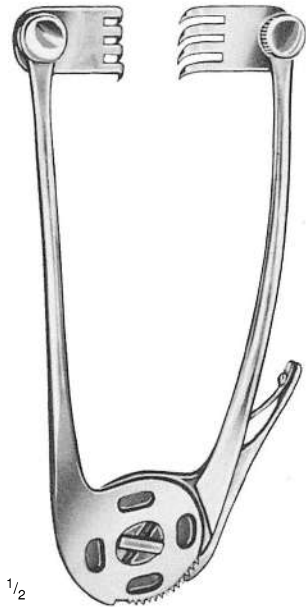


"a vision" not just a company

DURRANI & COMPANY



Self-retaining Retractors
Ecarteurs autostatiques
Wundspreizer, selbsthaltend



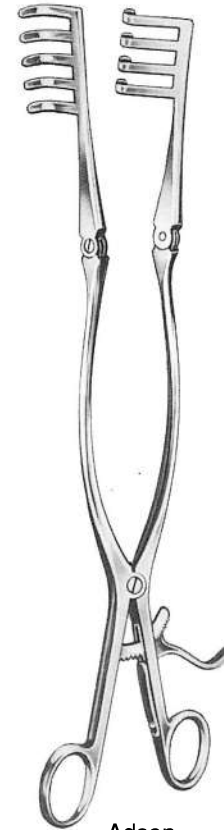
1/2

Kocher
 16 cm/6 1/4"
 21-152-160



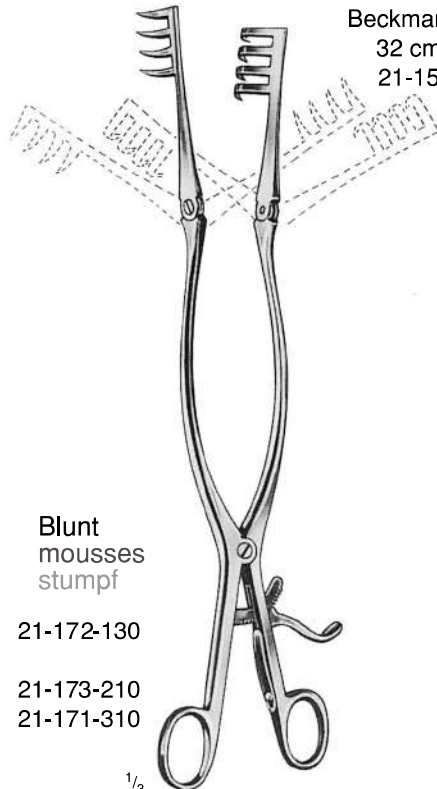
1/3

Beckmann-Eaton
 32 cm/12 1/2"
 21-156-320



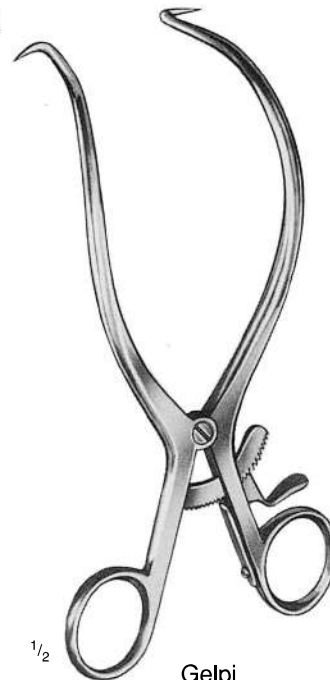
1/3

Adson
 32 cm/12 1/2"
 21-160-320



1/3

Beckmann



1/2

Gelpi
 18 cm/7"
 21-174-180



1/2

Weitlaner-Wullstein
 13 cm/5"
Sharp
 pointus
 scharf
 21-181-130
Blunt
 mousses
 stumpf
 21-183-130

Adson Baby
 3 x 4 Teeth
 13 cm/ 5"
 21-161-130

cm	inch	Sharp pointus scharf	Blunt mousses stumpf
13	5	21-173-130	21-172-130
17	6 1/2	21-172-170	
21	8 1/2		21-173-210
31	12 1/4	21-172-310	21-171-310



"a vision" not just a company

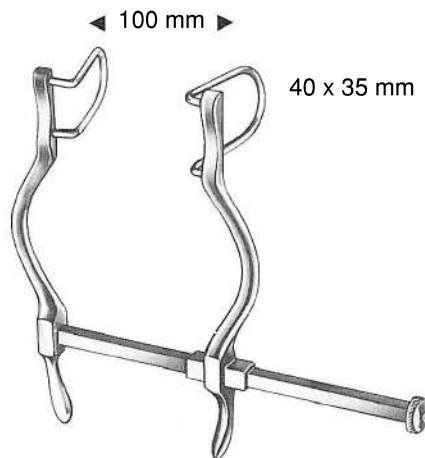
DURRANI & COMPANY



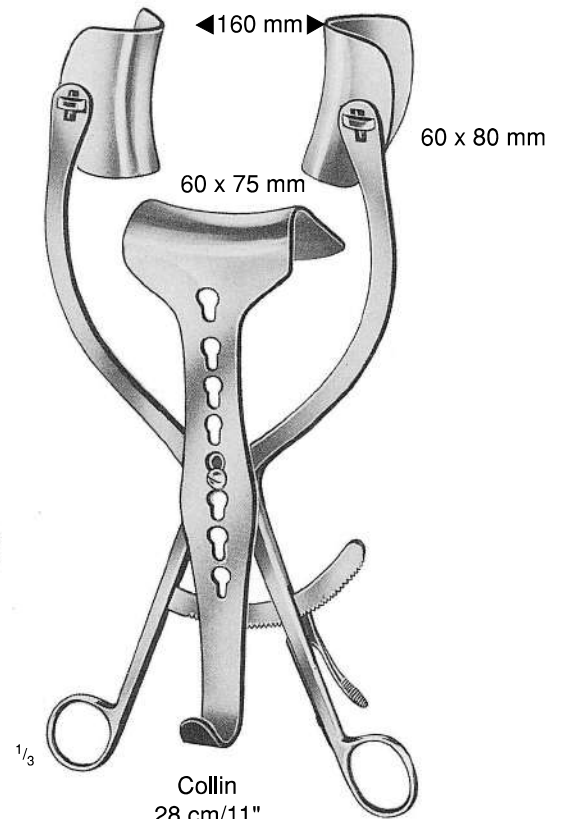
Self-retaining Retractors
Ecarteurs autostatiques
Wundspreizer, selbsthaltend



Cloward
 16 cm/6 1/4"
 21-187-160
 with Five Blades (Complete Set)



Gosset
 21-212-000



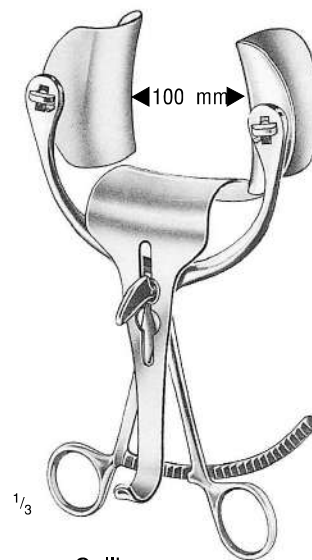
Collin
 28 cm/11"
 21-218-000



Mayo-Adams
 17 cm/6 3/4"

With center blade
 sans valve médiane
 ohne Mittelvalve
 21-222-170

With center blade
 avec valve médiane
 mit Mittelvalve
 21-224-170



Collin
 22 cm/8 3/4"

Lateral blades
 valves laterales
 seitenvlaven
 21-232-000 38 x 60 mm
 21-236-000 38 x 80 mm

center blades
 valves médianes
 mittelvalven
 38 x 55 mm
 38 x 75 mm

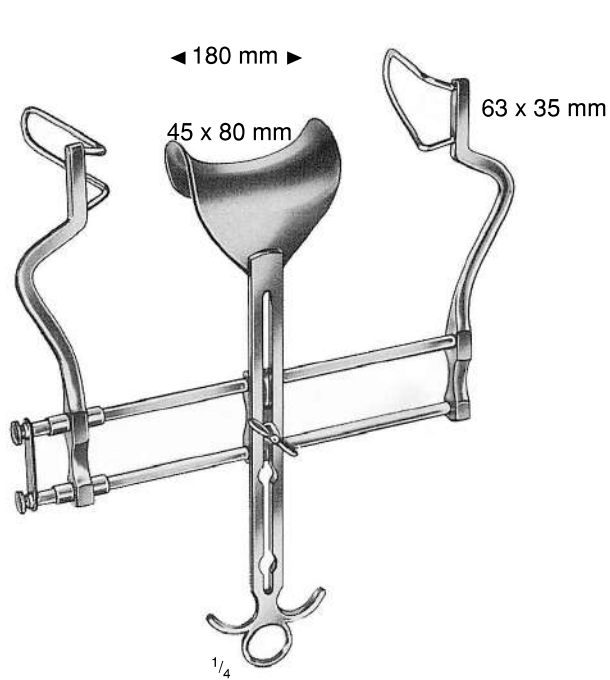


"a vision" not just a company

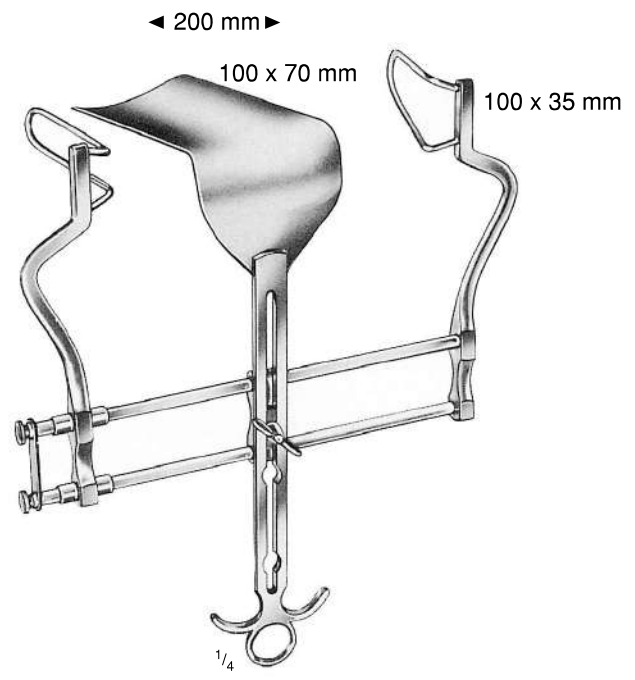
DURRANI & COMPANY



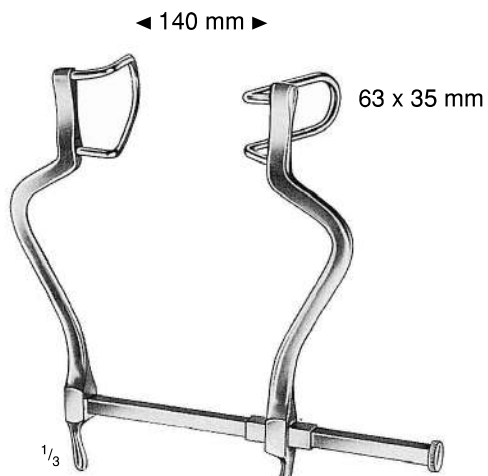
Self-retaining Abdominal Retractors Ecarteurs abdominaux autostatiques Bauchdeckenhalter



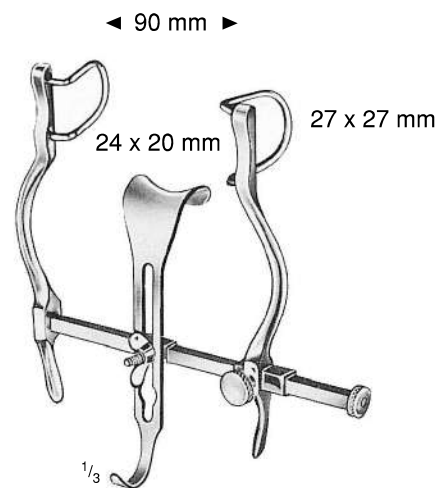
Balfour
21-244-000



Balfour
21-248-000



Gosset
21-252-000



Balfour-Baby
21-258-000

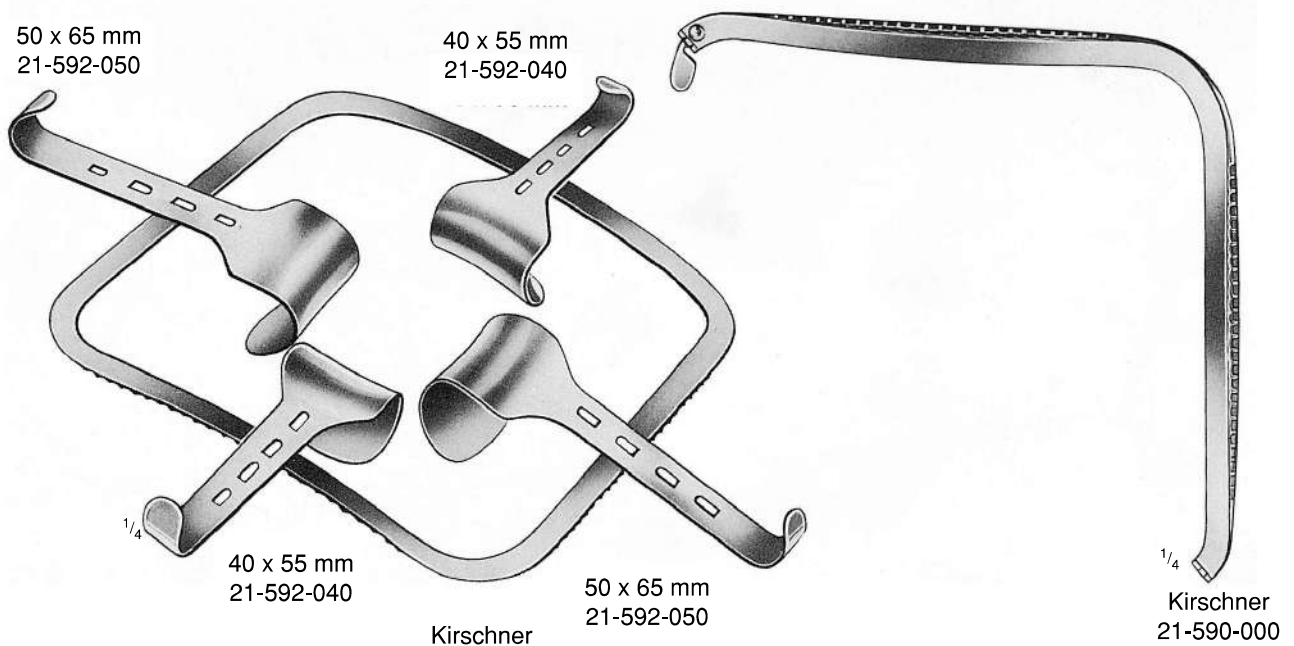


"a vision" not just a company

DURRANI & COMPANY



Abdominal Retractors
Ecarteurs abdominaux
Bauchdeckenhalter



21-584-000	Abdominal retractor, complete, consisting of:	21-588-000	Abdominal retractor, complete, consisting of:
21-586-000	1 Frame, rigid, 240 x 240 mm	21-590-000	1 Frame, folding, 280 x 280 mm
21-592-040	2 Blades, 40 x 55 mm	21-592-040	2 Blades, 40 x 55 mm
21-592-050	2 Blades, 50 x 65 mm	21-592-050	2 Blades, 50 x 65 mm
21-584-000	Ecarteurs abdominaux, complet see composant de:	21-588-000	Ecarteurs abdominaux, complet see composant de:
21-586-000	1 Cadre, rigide, 240 x 240 mm	21-590-000	1 Cadre, pliant, 280 x 280 mm
21-592-040	2 Valves, 40 x 55 mm	21-592-040	2 Valves, 40 x 55 mm
21-592-050	2 Valves, 50 x 65 mm	21-592-050	2 Valves, 50 x 65 mm
21-584-000	Bauchdeckenhalter, Komplet bestehend aus:	21-588-000	Bauchdeckenhalter, Komplet bestehend aus:
21-586-000	1 Rahmen, starr, 240 x 240 mm	21-590-000	1 Rahmen, zusammenlegbar, 280 x 280 mm
21-592-040	2 Valven, 40 x 55 mm	21-592-040	2 Valven, 40 x 55 mm
21-592-050	2 Valven, 50 x 65 mm	21-592-050	2 Valven, 50 x 65 mm

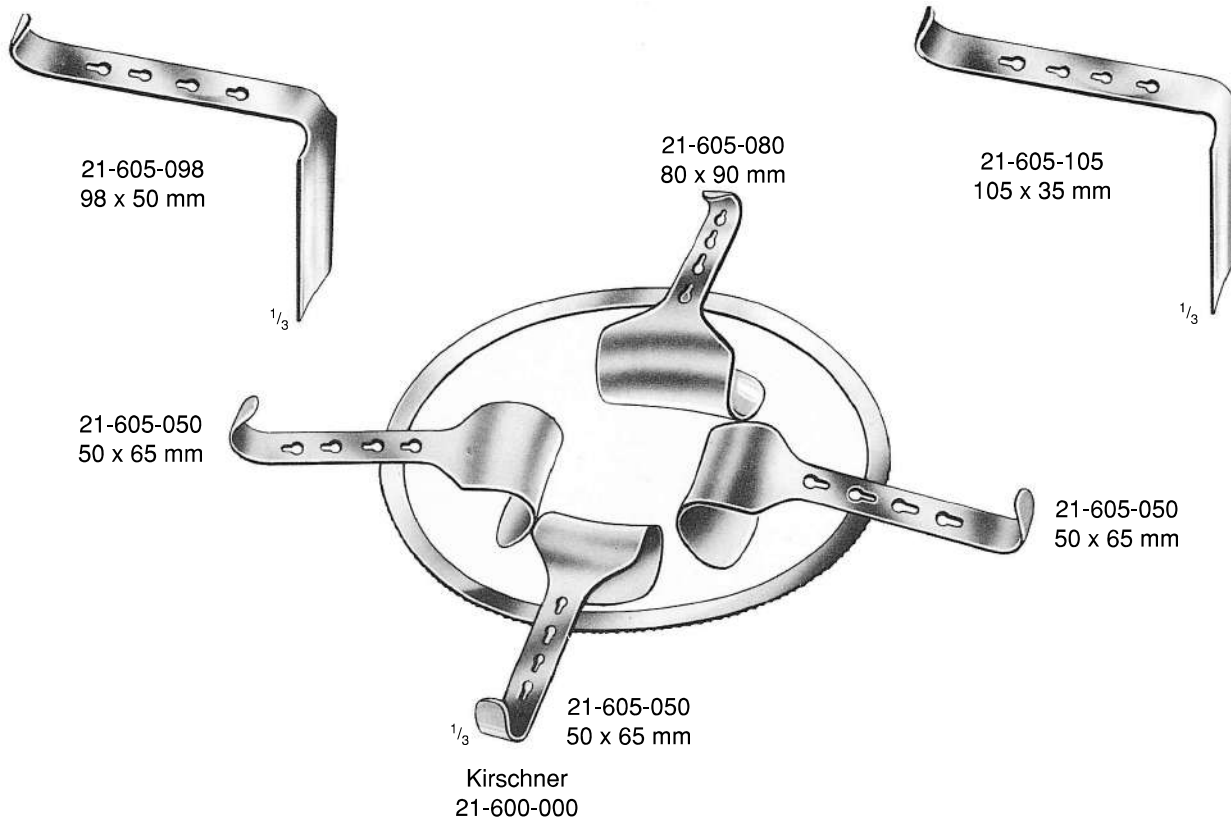


"a vision" not just a company

DURRANI & COMPANY



Abdominal Retractors
Ecarteurs abdominaux
Bauchdeckenhalter



- 21-600-000 Bauchdeckenhalter, oval komplett, bestehend aus:
- 21-604-300 1 Rahmen, oval, 300 x 240 mm
- 21-605-050 3 Valve, 50 x 65 mm
- 21-605-080 1 Valve, 80 x 90 mm
- 21-605-098 1 Valve, 98 x 50 mm
- 25-605-105 1 Valve, 105 x 35 mm

- 21-600-000 Ecarteur abdominal, de forme ovale, complet, se composant de:
- 21-604-300 1 Cadre de forme ovale, 300 x 240 mm
- 21-605-050 3 Valve, 50 x 65 mm
- 21-605-080 1 Valve, 80 x 90 mm
- 21-605-098 1 Valve, 98 x 50 mm
- 21-605-105 1 Valve, 105 x 35 mm

- 21-600-000 Bauchdeckenhalter, oval komplett, bestehend aus:
- 21-604-300 1 Rahmen, oval, 300 x 240 mm
- 21-605-050 3 Valve, 50 x 65 mm
- 21-605-080 1 Valve, 80 x 90 mm
- 21-605-098 1 Valve, 98 x 50 mm
- 21-605-105 1 Valve, 105 x 35 mm



"a vision" not just a company

DURRANI & COMPANY

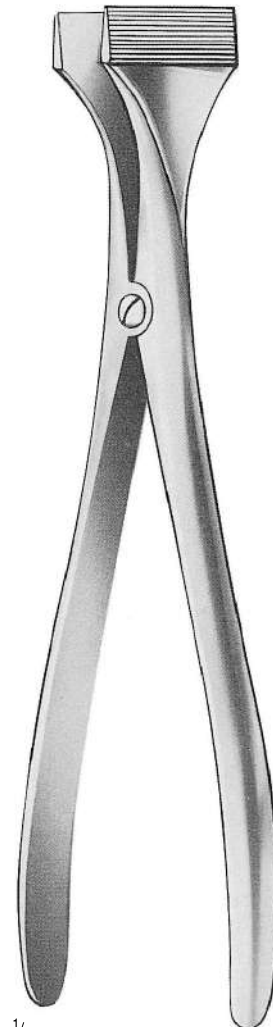


Plaster Cast Spreaders
Ecarteurs à Plâtre
Gipsspreizer



$\frac{1}{2}$

USA-Mod
23 cm/9"
21-702-230



$\frac{1}{2}$

Hennig
27 cm/10 $\frac{3}{4}$ "
21-722-270

22

Punches



DURRANI & CO





"a vision" not just a company

DURRANI & COMPANY



Punches
Pinces emporte-pieces
Stanzen

Bone Punches
Pinces emporte-pieces
Knochenstanzen

$\frac{1}{4}$ U
 22-010-001

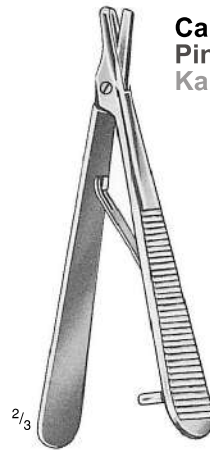
$\frac{1}{4}$ U
 22-010-002

$\frac{1}{4}$ U
 22-010-003



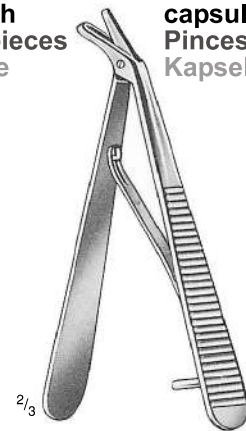
Citelli
 17 cm/6 $\frac{3}{4}$ "

Canaliculus Punch
Pinces emporte-pieces
Kanalikulusstanze



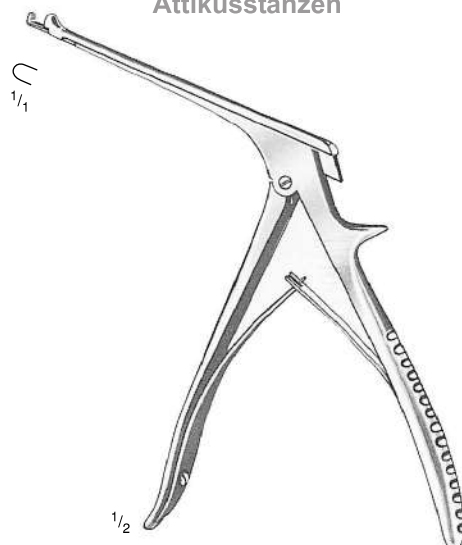
Haitz
 9 cm/3 $\frac{1}{2}$ "
 22-050-090

capsular Punch
Pinces emporte-pieces
Kapselstanze

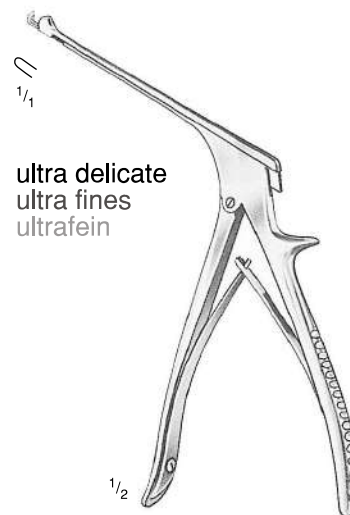


Holth
 9 cm/3 $\frac{1}{2}$ "
 29-125-090

Atticus punches
Pinces emporte-pieces pour l'attique
Attikusstanzen



Beyer
 19 cm/7 $\frac{1}{2}$ "
 22-070-000



Beyer
 16 cm/6 $\frac{1}{4}$ "
 22-072-000



"a vision" not just a company

DURRANI & COMPANY



Punches

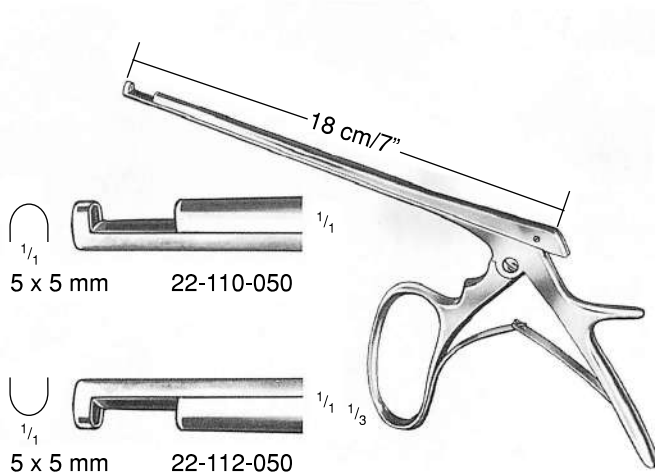
Pinces emporte-pieces

Stanzen

Laminectomy punches

Pinces emporte-pieces pour laminectomie

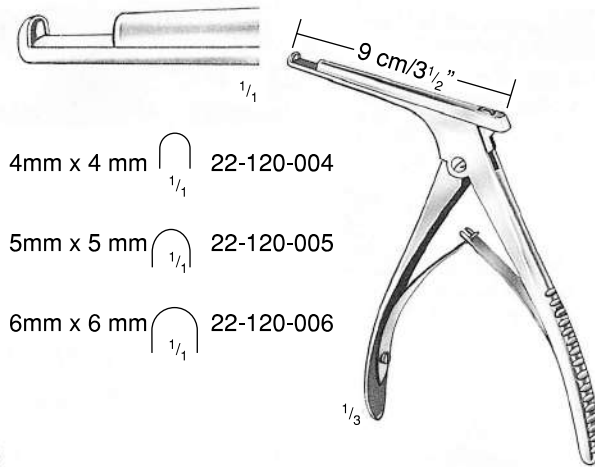
Laminektomiestanzen



Antrum punch forceps

Pinces emporte-pieces pour sinus maxillaire

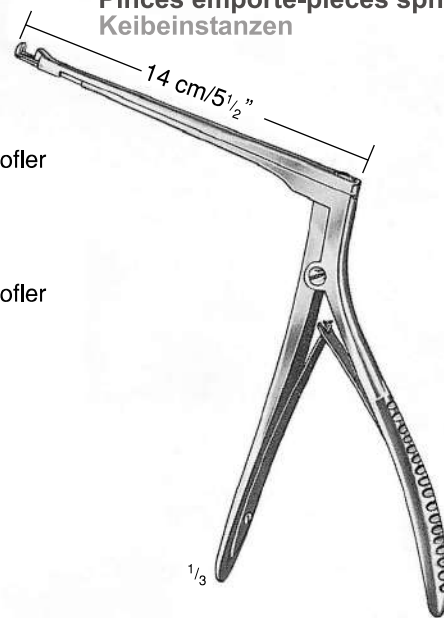
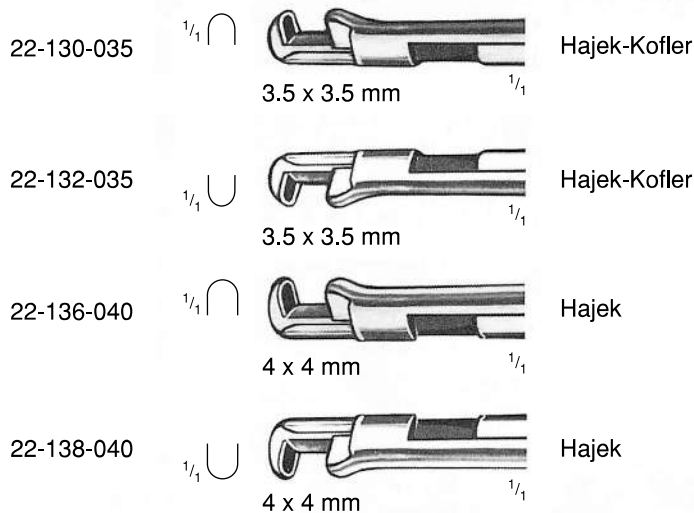
Kieferhohlestanzen



Sphenoid punches

Pinces emporte-pieces sphenoidales

Keibeinstanzen



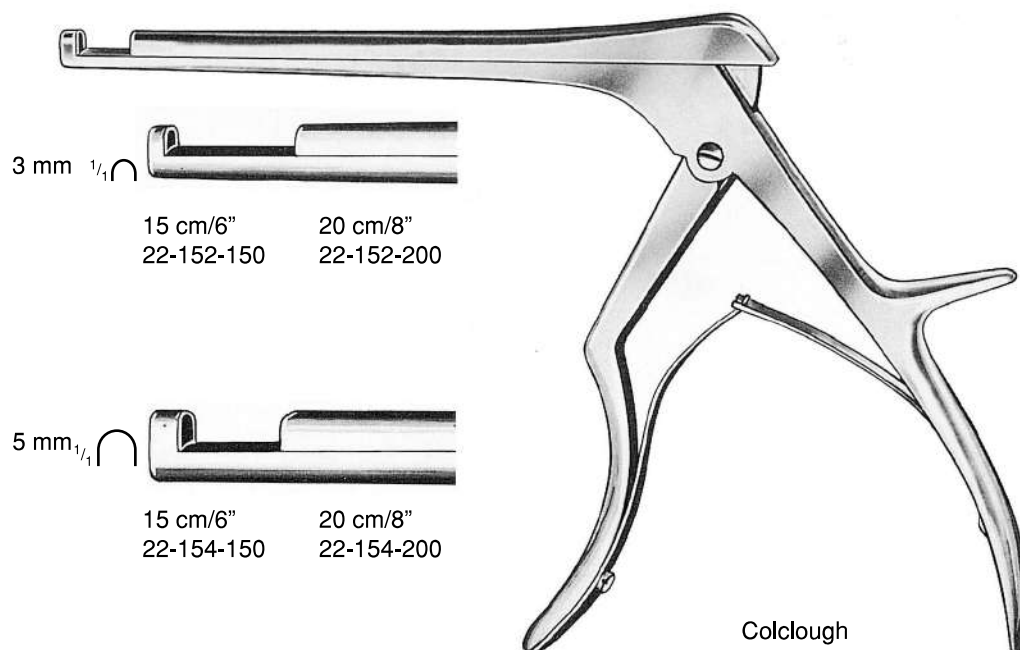
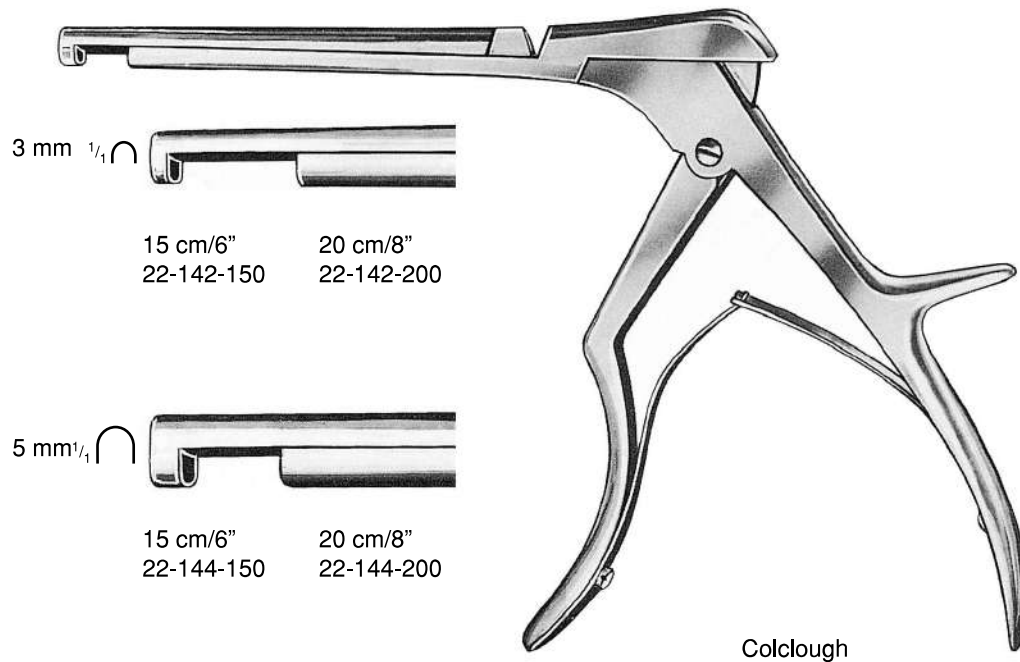


"a vision" not just a company

DURRANI & COMPANY



Laminectomy punches
Pinces emporte-pieces pour laminectomie
Laminektomiestanzen



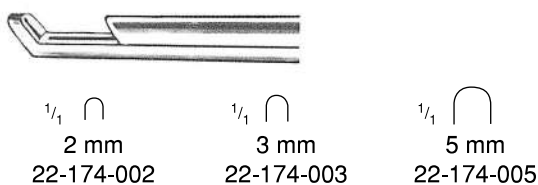
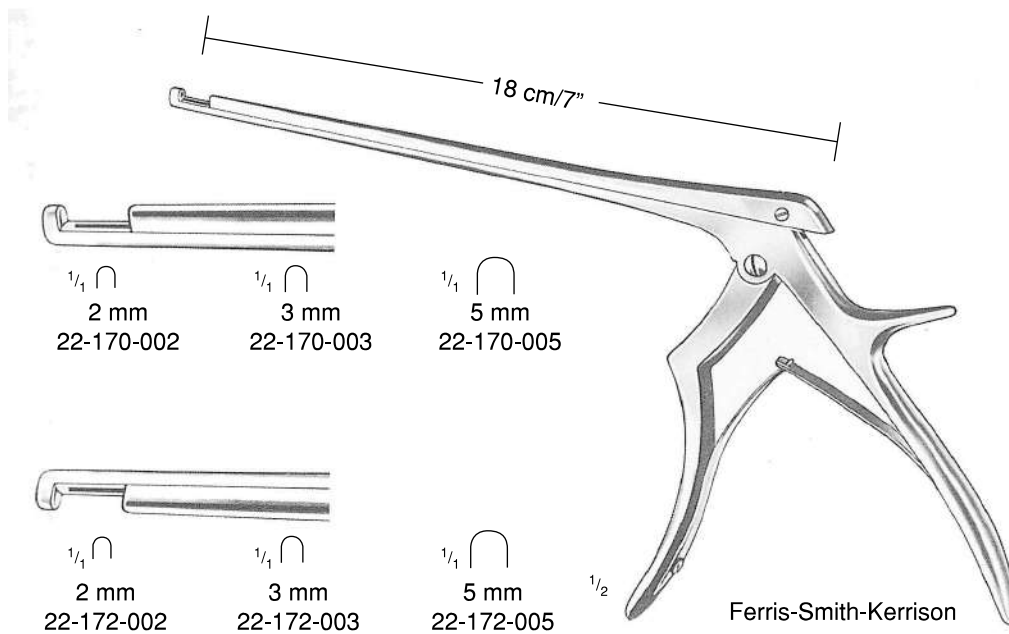
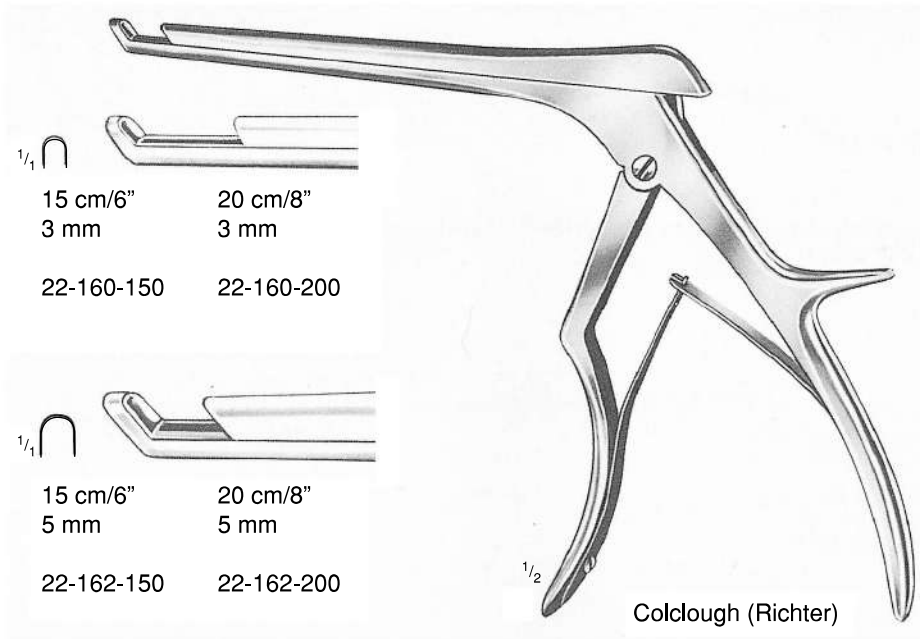


"a vision" not just a company

DURRANI & COMPANY



Laminectomy punches Pinces emporte-pieces pour laminectomie Laminektomiestanzan





"a vision" not just a company

DURRANI & COMPANY



Laminectomy Rongeurs
Pincés coupantes pour laminectomie
Laminektomieezangen

Cm	Inch	22-180-130	22-183-130	22-187-130
13	5	22-180-130	22-183-130	22-187-130
18	7	22-180-180	22-183-180	22-187-180

Straight
 droite
 gerade
 Upward
 en haut
 aufwärts
 Downward
 en bas
 abwärts
 Cushing

1/4	3 x 10 mm	22-190-003
1/4	4 x 10 mm	22-190-004
1/4	5 x 10 mm	22-190-005
1/4	6 x 10 mm	22-190-006

18 cm / 7"

Ferris-Smith-Cushing



"a vision" not just a company

DURRANI & COMPANY



Laminectomy Rongeurs
Pincés coupantes pour laminectomie
Laminektomieezangen

	1/4	1/4	1/4	
	1/4	1/4	1/4	
	4 x 10 mm	4 x 10 mm	4 x 10 mm	
Length of shaft longueur de la tige Schaftlänge	Straight droite gerade	Upward en haut aufwärts	Downward en bas abwärts	
15 cm/6"	22-200-150	22-211-150	22-225-150	
18 cm/7"	22-200-180	22-211-180	22-225-180	

Spurling

	1/4	1/4	1/4	
	1/4	1/4	1/4	
	3 x 10 mm	3 x 10 mm	3 x 10 mm	
Length of shaft longueur de la tige Schaftlänge	Straight droite gerade	Upward en haut aufwärts	Downward en bas abwärts	
13 cm/5"	22-230-130	22-237-130	22-245-130	
18 cm/7"	22-230-180	22-237-180	22-245-180	

Love-Gruenwald